



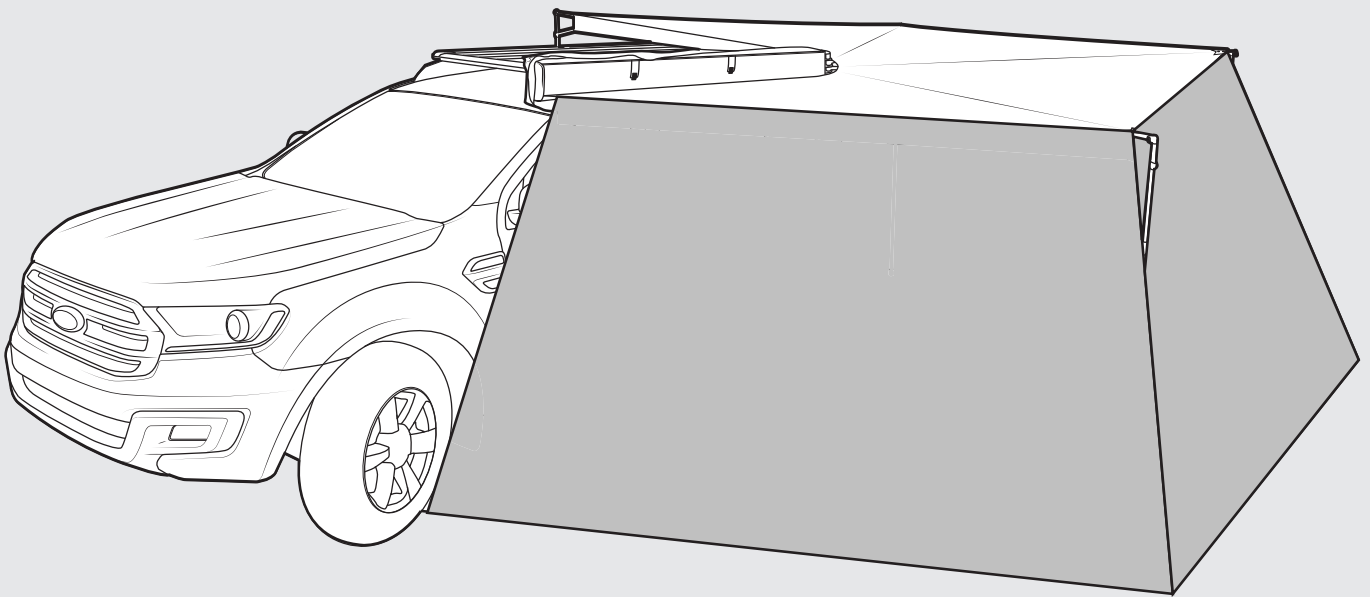
RHINO-RACK®

Batwing Compact Tapered Zip Extension - 33109

Important:

1. Check the Rhino-Rack website to ensure you have the latest issue of these instructions.
2. Please refer to your fitting instruction to ensure that the roof racks are installed in the correct locations.
3. Check the contents of kit before commencing fitment and report any discrepancies.
4. Place these instructions in the vehicle's glove box after installation is complete.
5. These instructions must be followed for warranty to be upheld.

Fit Time: 10 mins



Rhino-Rack

22A Hanson Pl, Eastern Creek NSW 2766, Australia
(02) 8846 1900
rhinorack.com

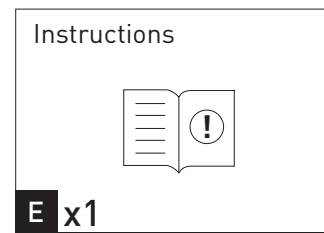
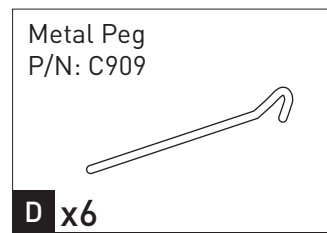
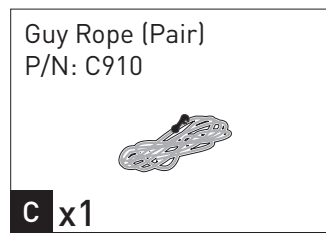
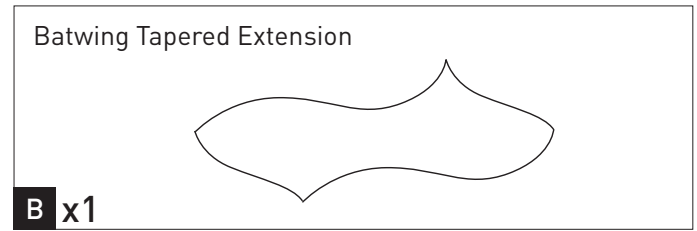
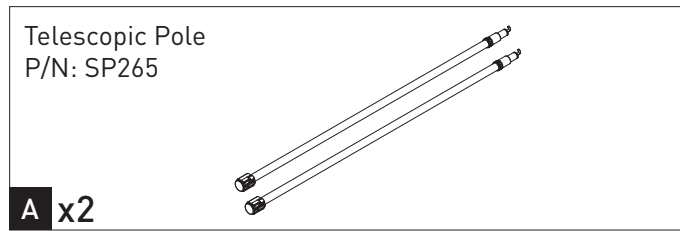
Document No: 520-RFI-00012

Issue No: 01

Issue Date: 31/03/2021

33109 Instructions

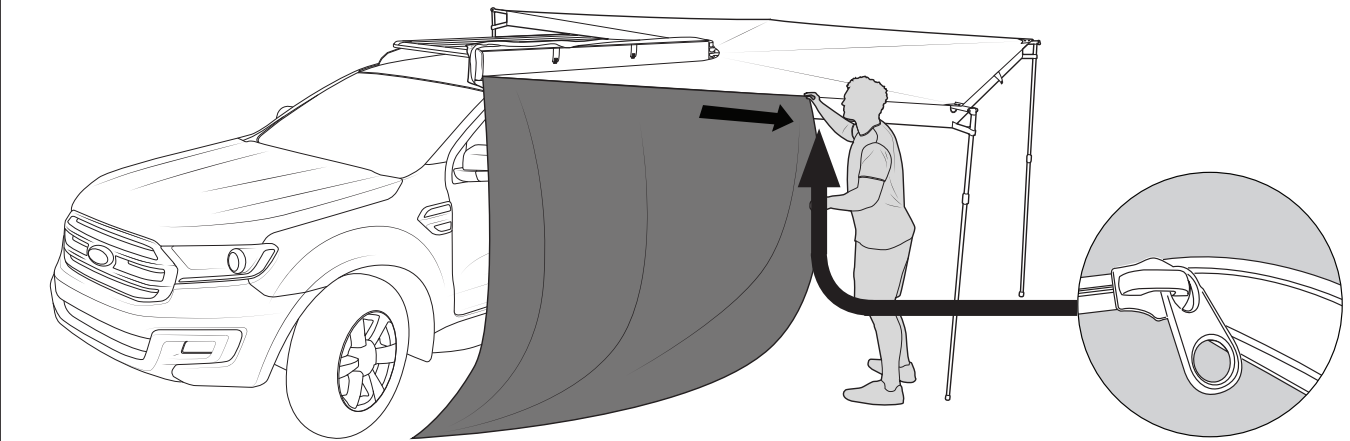
Parts List



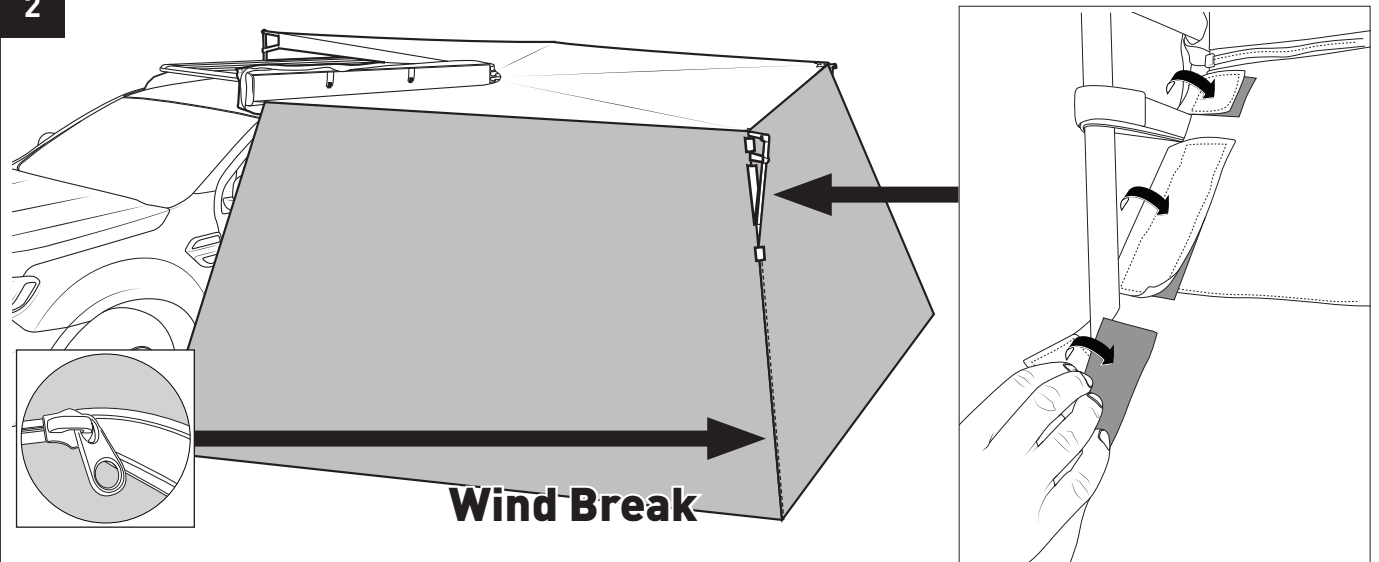
Tools Required

T1 - Rubber Mallet

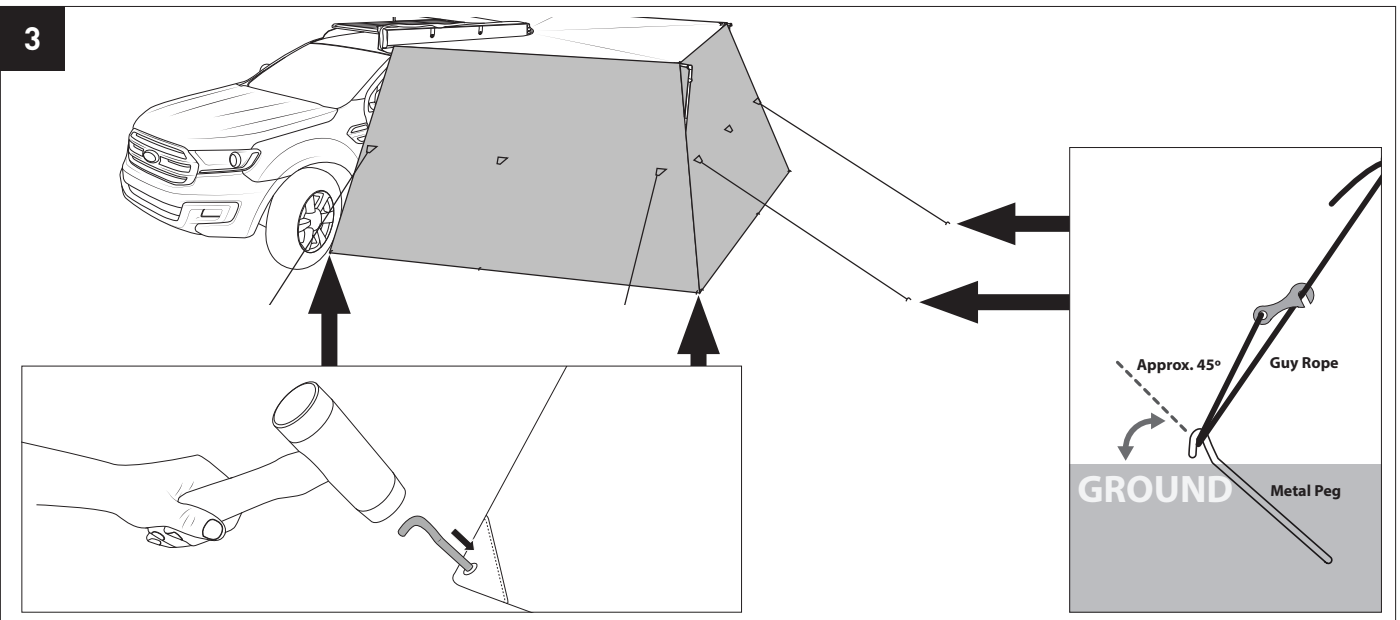
1



2



3



LAYOUT OPTIONS

