



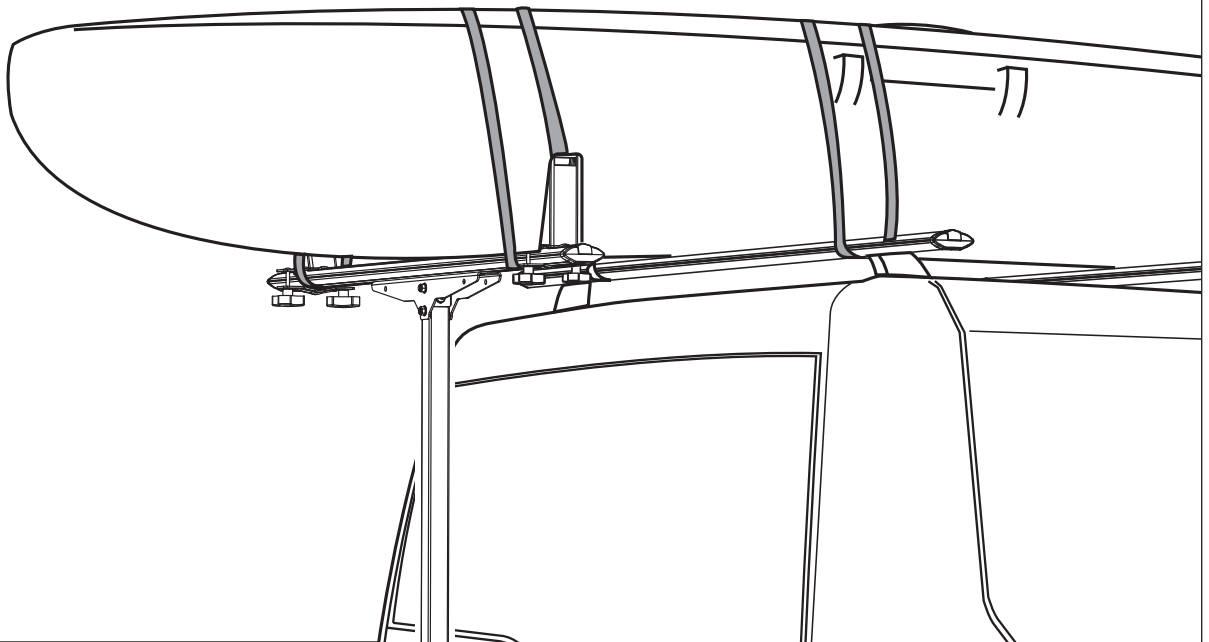
# RHINO-RACK

Aerodynamic & Heavy Duty Roof Rack Systems

## Rhino-Rack Kayak T-Load Kit (RTLK)

**Important:** Please read these instructions carefully prior to installation. Please refer to your fitting instruction to ensure that the roof racks are installed in the correct locations. Check the contents of kit before commencing fitment and report any discrepancies. Place these instructions in the vehicle's glove box after installation is complete.

### Layout



### Important Information

#### Maximum carrying capacity:

Please refer to your vehicle manufacturers handbook for maximum carrying capacity of your roof racks. Always use the lower of the two figures. Load must be evenly distributed over the crossbars.

**Warning:** Do not attempt to fit the T-load kit to your vehicle unless you fully understand this fitting instructions. Please direct any questions regarding fitting to the dealer from where the T-load kit was purchased.

**Use only non-stretch fastening ropes or straps.**

#### Recommendations:

It is essential that all bolt connections be checked after driving a short distance when you first install your roof racks and T-load kit. Bolt connections should be checked again at regular intervals (once a week is enough, depending on road conditions, usage, loads and distances travelled). You should also check the roof racks and T-Load kit each time they are re-fitted. Always make sure to fasten your load securely. Please also ensure that all loads are evenly distributed and that the centre of gravity is kept as low as possible. Long loads (e.g. canoes and kayaks) must be secured front and rear with non-stretch fastening ropes or straps. **Roof racks must be removed when putting vehicle through an automatic car wash.**

**Caution:** The handling characteristics of the vehicle changes when you transport a load on the roof. For safety reasons we recommend you exercise extreme care when transporting wind-resistant loads. Special consideration must be taken into account when cornering and braking.

#### Note for Dealers and Fitters:

It is your responsibility to ensure these fitting instructions are given to the end user or client.

Rhino-Rack  
3 Pike Street, Rydalmere,  
NSW 2116, Australia.  
(Ph) (02) 9638 4744  
(Fax) (02) 9638 4822

Document No: R072  
Prepared By: Andy Wana  
Authorised By: Chris Murty

Issue No: 01  
Issue Date: 04/07/2011

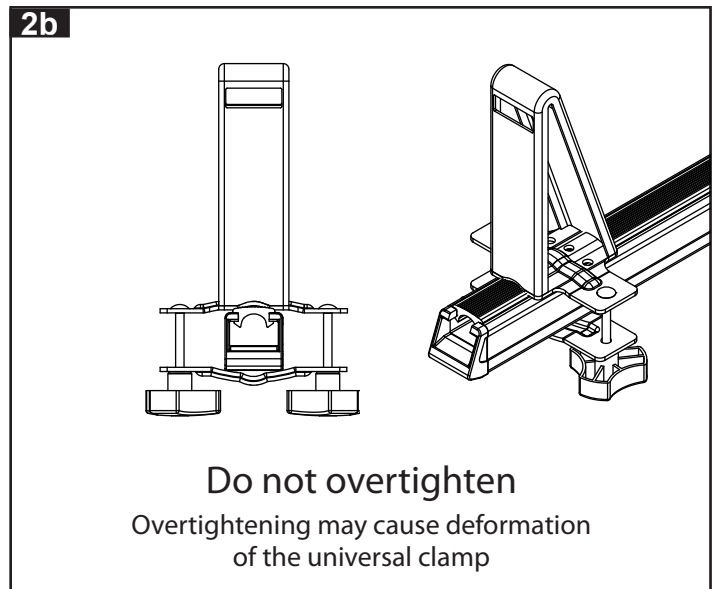
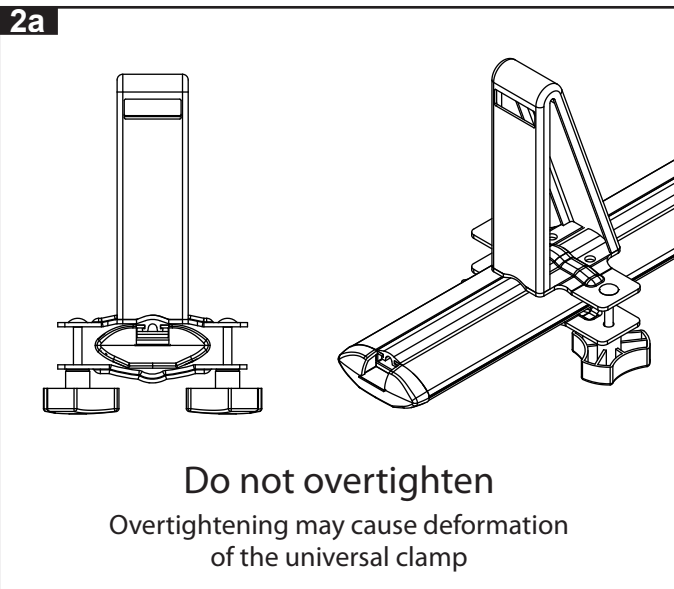
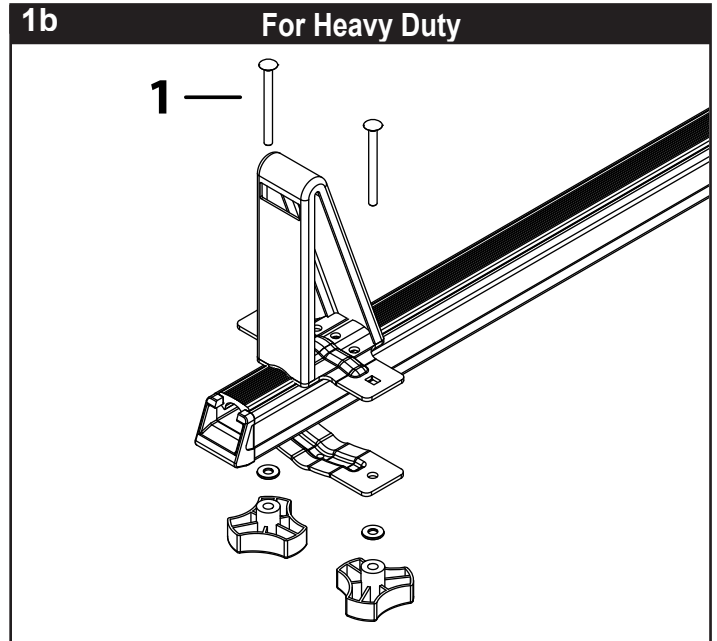
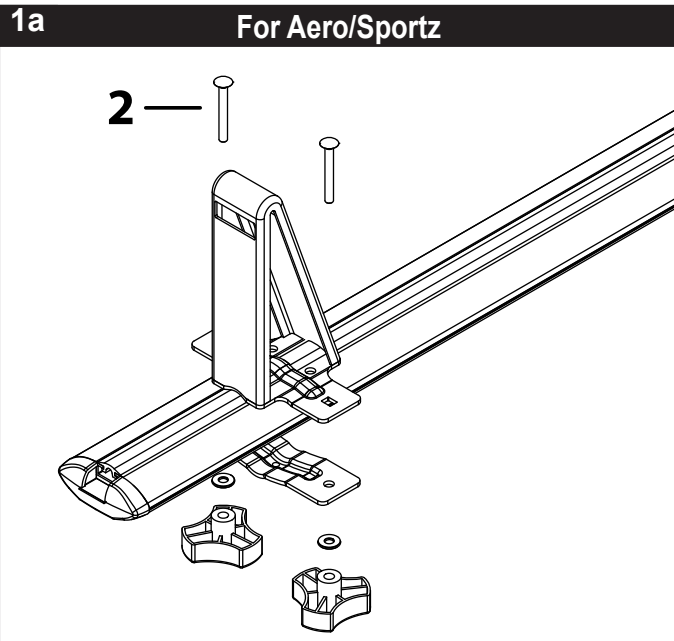
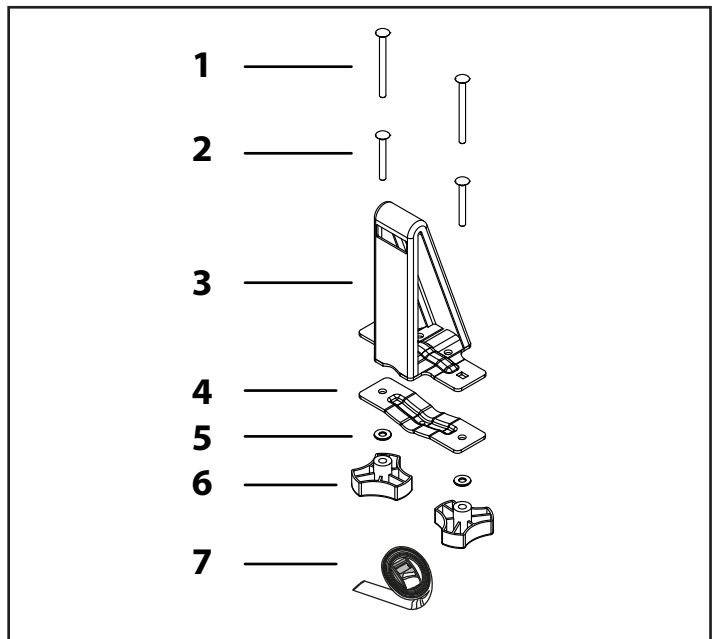
These instructions remain the property of Rhino-Rack Australia Pty Ltd and may not be used or changed for any other purpose than intended.



# Rhino-Rack Kayak T-Load Kit (RTLK)

## Parts List

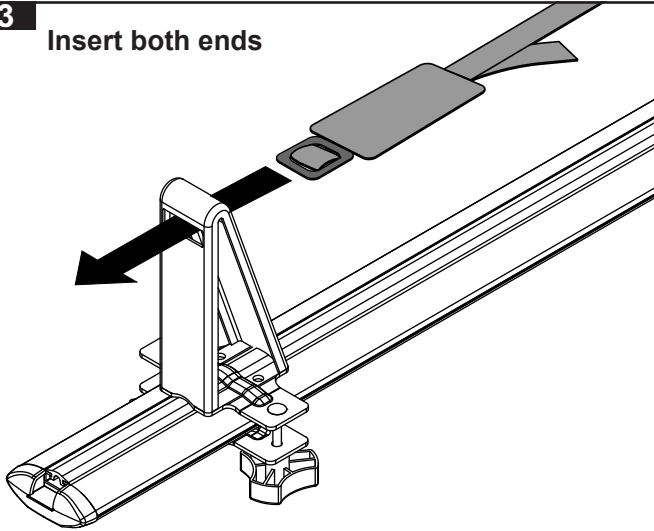
RTLK		
Item	Component Name	Qty
1	Cup Head Square Neck Long Bolt (HD)	4
2	Cup Head Square Neck Short Bolt (Aero)	4
3	Upper Clamp	2
4	Universal Clamp	2
5	M6 Flat Washer	4
6	Dial	4
7	Strap	1
8	Fitting Instruction	1





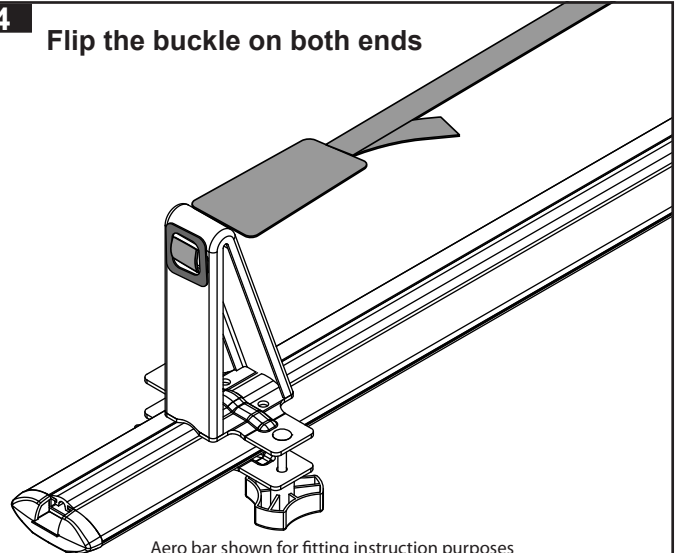
# Rhino-Rack Kayak T-Load Kit (RTLK)

**3** Insert both ends



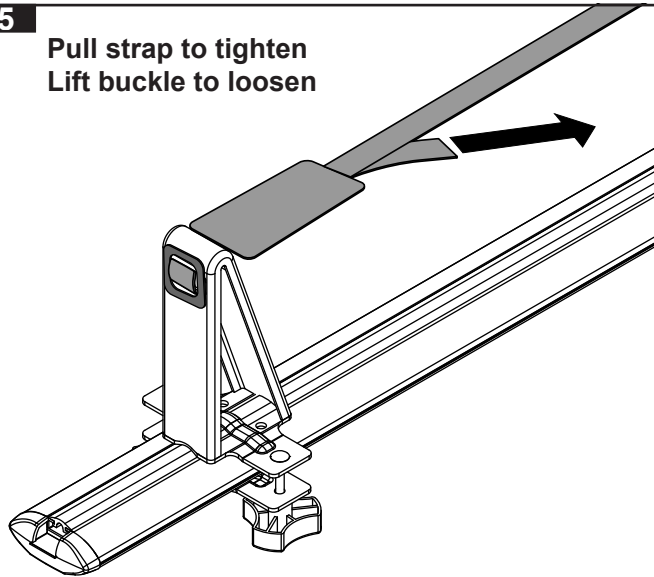
Aero bar shown for fitting instruction purposes

**4** Flip the buckle on both ends



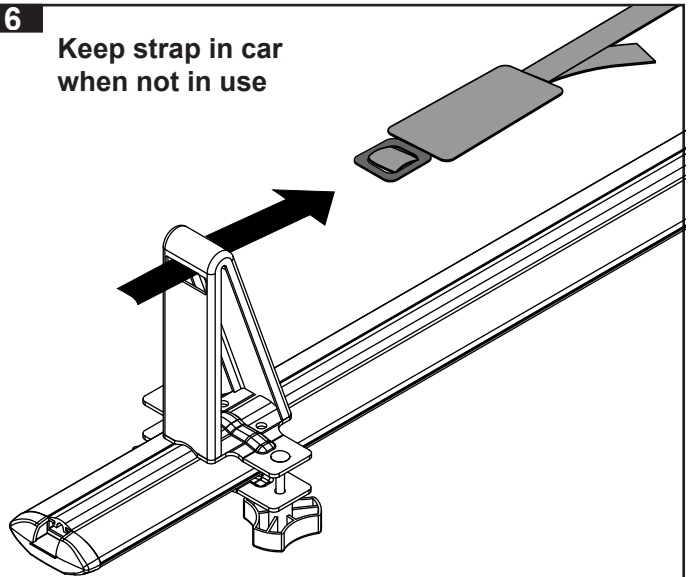
Aero bar shown for fitting instruction purposes

**5** Pull strap to tighten  
Lift buckle to loosen



Aero bar shown for fitting instruction purposes

**6** Keep strap in car  
when not in use

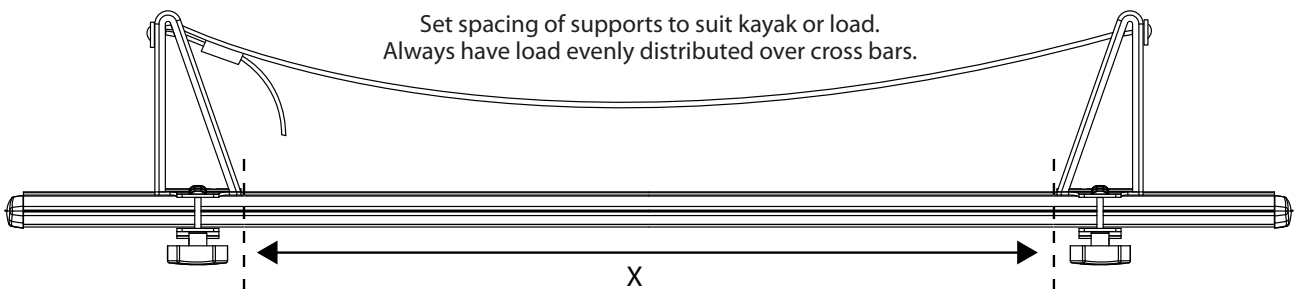


Aero bar shown for fitting instruction purposes

**7**

## For KAYAKS / CANOES

Set spacing of supports to suit kayak or load.  
Always have load evenly distributed over cross bars.



## For LOAD STOP

Set spacing of supports to suit kayak or load.  
Always have load evenly distributed over cross bars.

