

# RHINO-RACK®

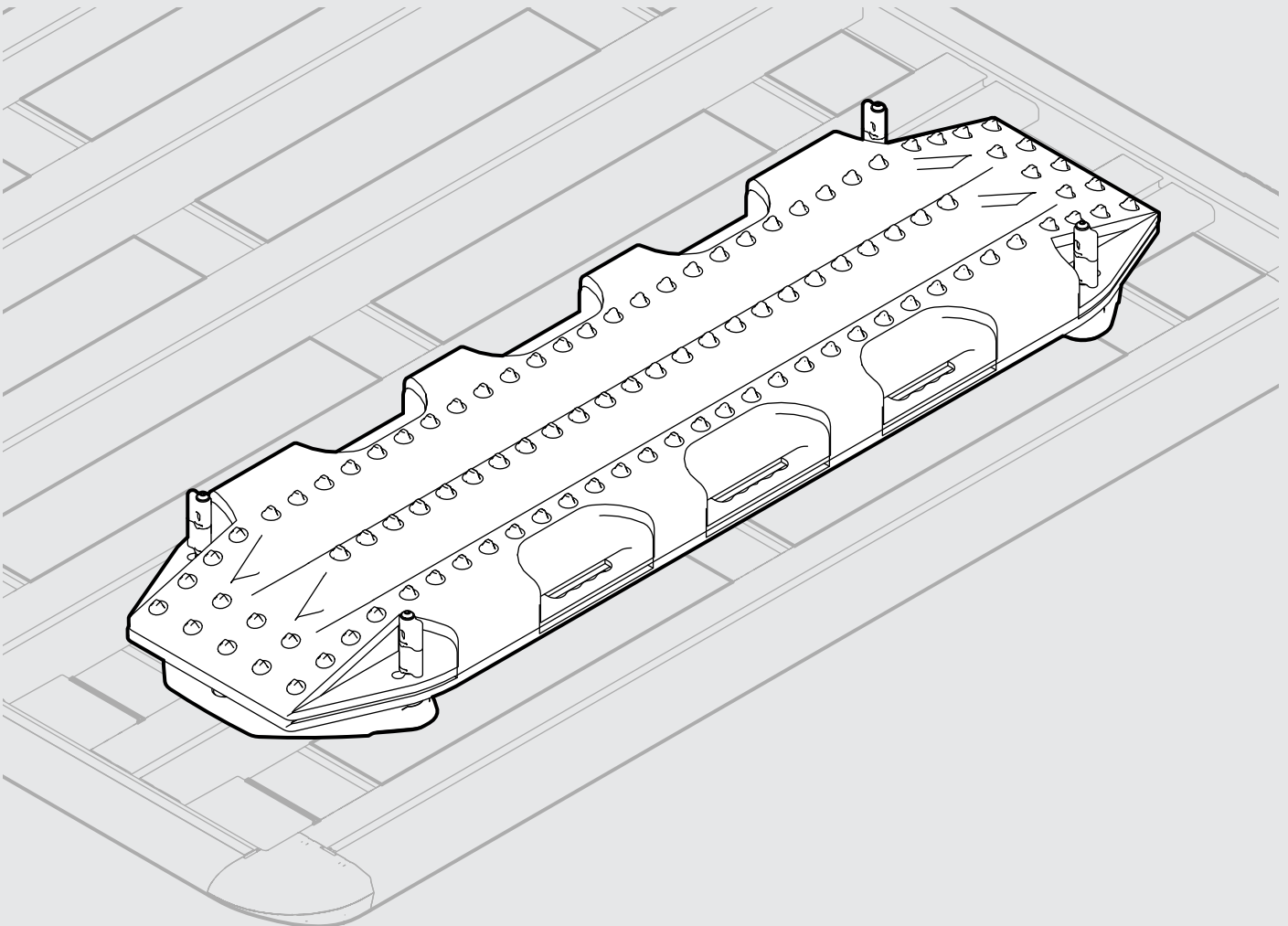
## Recovery Track Flat Bracket

61013

**Important:**

1. Check the Rhino-Rack website to ensure you have the latest issue of these instructions.
2. Please refer to your fitting instruction to ensure that the roof racks are installed in the correct locations.
3. Check the contents of kit before commencing fitment and report any discrepancies.
4. Place these instructions in the vehicle's glove box after installation is complete.
5. These instructions must be followed for warranty to be upheld.

**Fit Time:** 5 mins



**RHINORACK.COM**

Doc. No: 520-RFI-00162

Issue No: 01

Issue Date: 14/09/2023

## Carrying Capacity

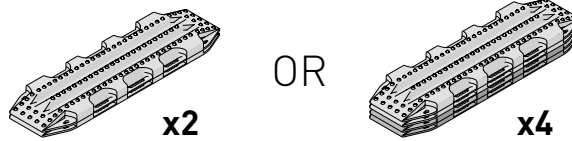
Check the vehicle owners hand book for your vehicle manufacturer's maximum carrying capacity.

Do not exceed the vehicle manufacturer's maximum roof carrying capacity.

The weight of the roof racks, accessories, and recovery tracks must be included in the total vehicle roof load.

### MAXIMUM LOAD RATING:

2 OR 4 Recovery Tracks\*



\*Recovery Tracks not included

## Warning

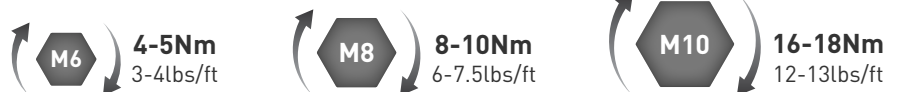
- Do not attempt to fit the accessory to your vehicle unless you fully understand these fitting instructions. Please direct any questions regarding fitting to the dealer from where the product was purchased.
- Off-road conditions can be much more rigorous. Extreme care must be taken in off road conditions.
- Accessory must be removed when vehicle is put through an automatic car wash.
- Always ensure you fasten your load securely.
- It is important that all roof racks and accessories are installed and attached correctly.
- Failure to follow the correct attachments could result in an accident, serious injury or death.
- The driver of the vehicle is responsible for securing the roof racks and accessories, checking the attachments, periodically checking bolt torque and visual inspection of all components for wear damage.
- Ensure product is locked before driving. It is recommended to fit at least one padlock to your mounting pins to reduce the risk of theft of your Recovery Tracks and prevent pins from unintentionally rotating whilst driving (Refer to Step 11).
- **Sideways mount position is not recommended for Platforms if it holds four or less planks, as it may cause interference.**

## In service maintenance checks

- All bolt connections should be checked after driving a short distance when you first install your roof racks.
- All bolted connections should be checked again at regular intervals (weekly is recommended, depending on road conditions, usage, loads and distances travelled).
- All bolted connections should be checked each time they are re-fitted.
- Off-road conditions are more rigorous. Check all bolted connections and your load more regularly.
- Ensure that your vehicle manufacturer's GVM, and gross axle weights are not exceeded (refer to vehicle owner's manual).

### Torque Settings:

Unless stated otherwise in these instructions, all fasteners should be set to the following torque settings:



## Sensitivity to Crosswinds, Behaviour in Curves and Braking.

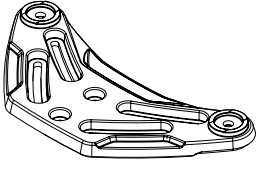
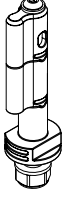
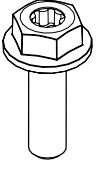

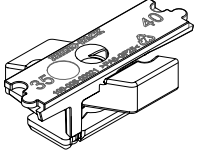

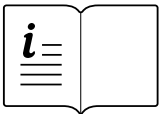
Remember that the handling characteristics of your vehicle will change when transporting a load on the roof.

Exercise extreme care when transporting wind-resisting loads; special consideration must be taken into account when braking.

## Note for Dealers and Fitters

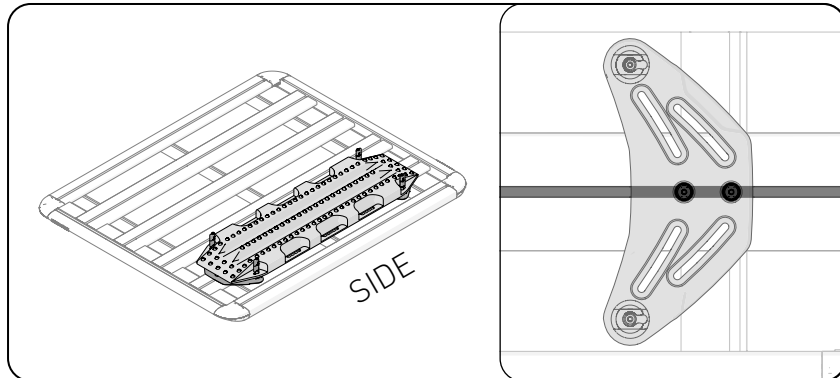
It is your responsibility to ensure these fitting instructions are given to the end user or client. These instructions remain the property of Rhino-Rack Australia Pty. Ltd. and may not be used or changed for any other purpose than intended.

**Parts List**

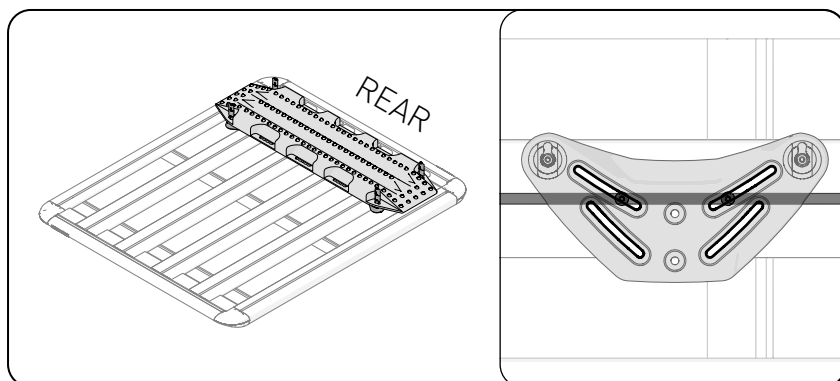
<p>Flat Bracket Mount</p>  <p><b>A</b> x2</p>	<p>Assembled Mounting Pin with M10 Washer + M10 Nyloc Nut</p>  <p><b>B</b> x4</p>	<p>M6 x 20 Hex Head Flanged Bolt</p>  <p><b>C</b> x4</p>	<p>M6 Flat Washer</p>  <p><b>D</b> x4</p>
<p>Zwifloc</p>  <p><b>E</b> x4</p>	<p>Torx T30 L-Key</p>  <p><b>F</b> x1</p>	<p>Instructions</p>  <p><b>G</b> x1</p>	<p><b>TOOLS REQUIRED:</b></p> <p><b>T1</b> - Tape Measure  <b>T2</b> - Padlock &amp; Key</p>

**Mounting Options**

**NORTH-SOUTH MOUNTING**

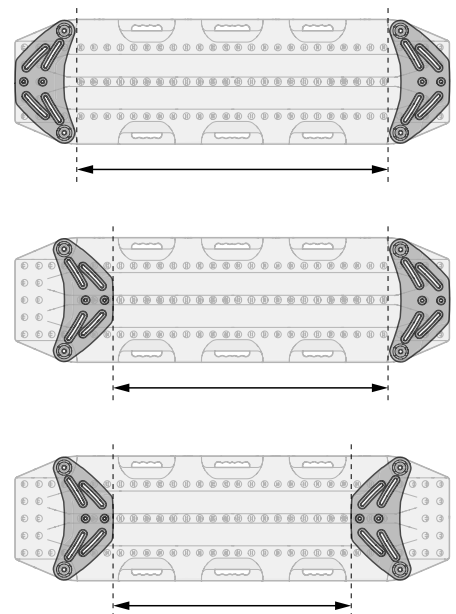


**EAST-WEST MOUNTING**



**BRACKET ORIENTATION**

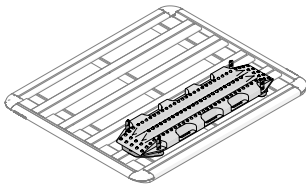
Up to 180mm variance to suit Roof Rack



1

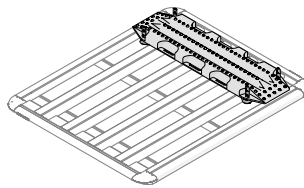
Select your desired mounting from the **Mounting Options** on Page 3

**NORTH-SOUTH**

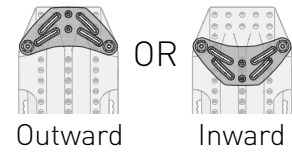


OR

**EAST-WEST**

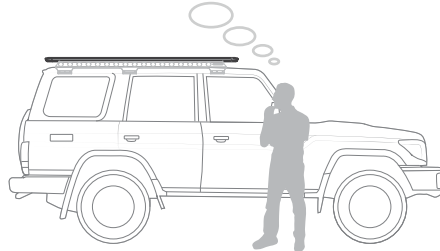


**NOTE:**



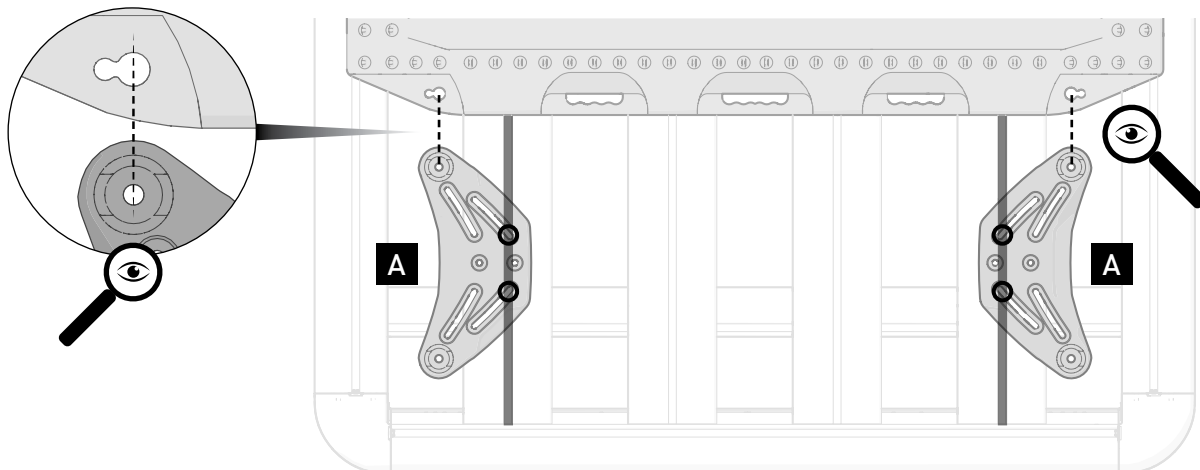
Outward

Inward

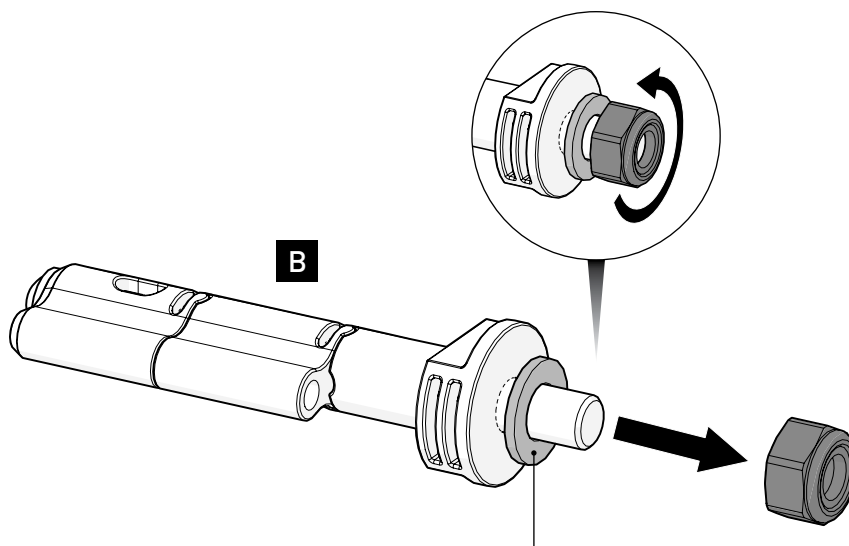


2 Place **A** Brackets onto platform to check that mounting holes will line up to the channels of your Platform, and will **simultaneously** line up to your Recovery Track pin holes.

*Ensure the mounting configuration you have chosen is viable for your Platform before proceeding.*

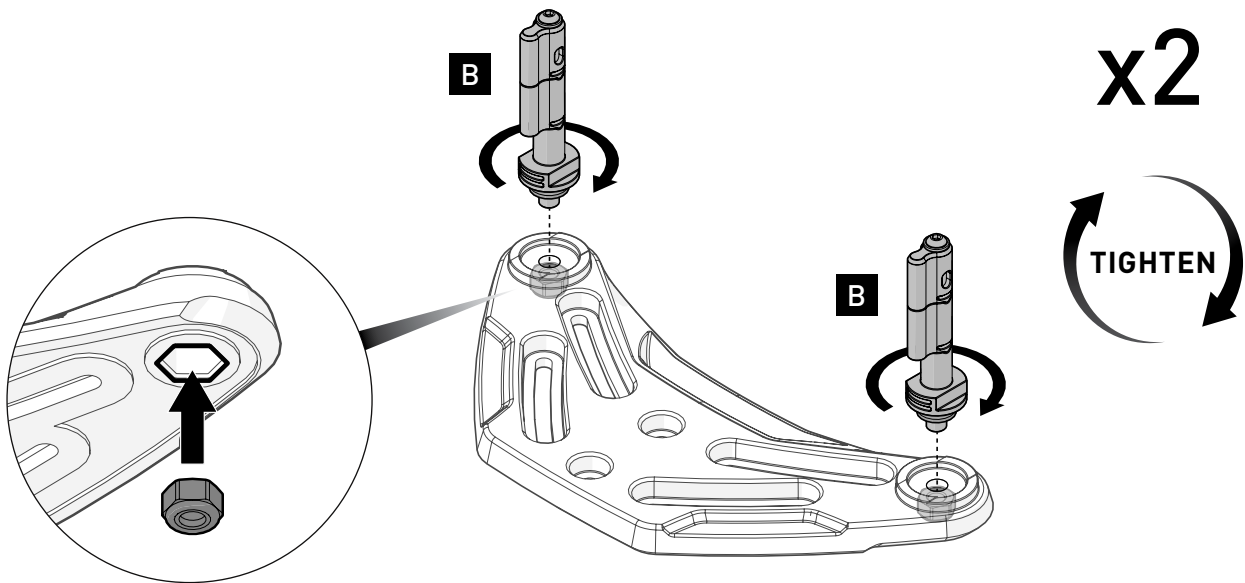


3



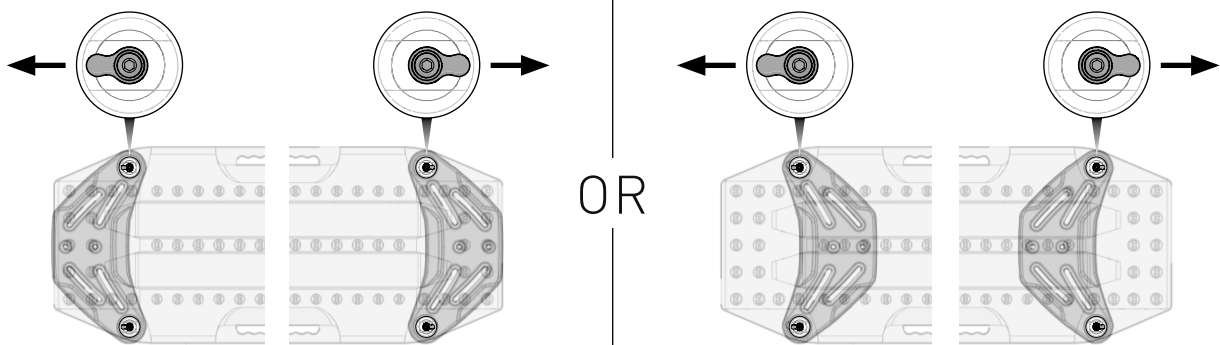
Keep M10 washer in place.

4



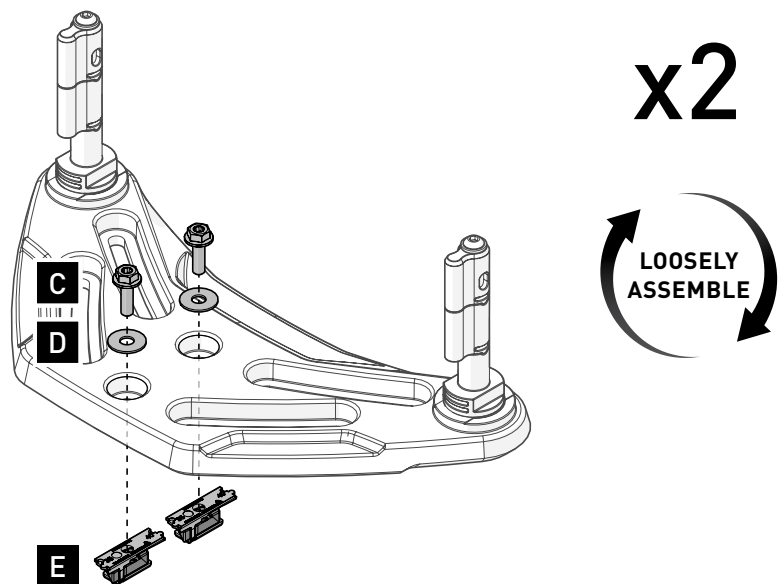
Orient pins as per your selected **Bracket Orientation** on Page 3

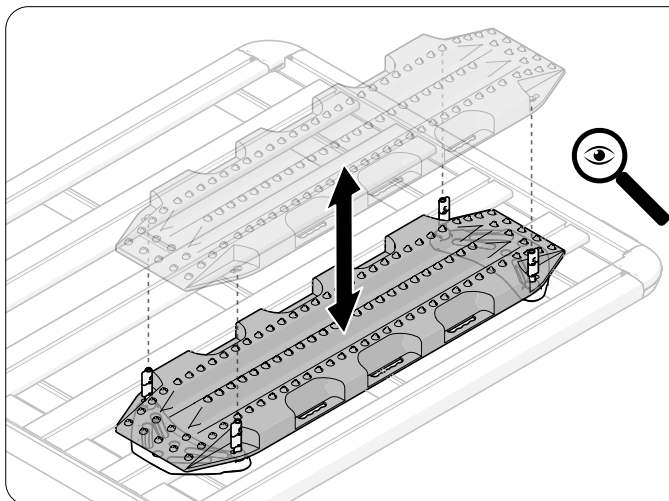
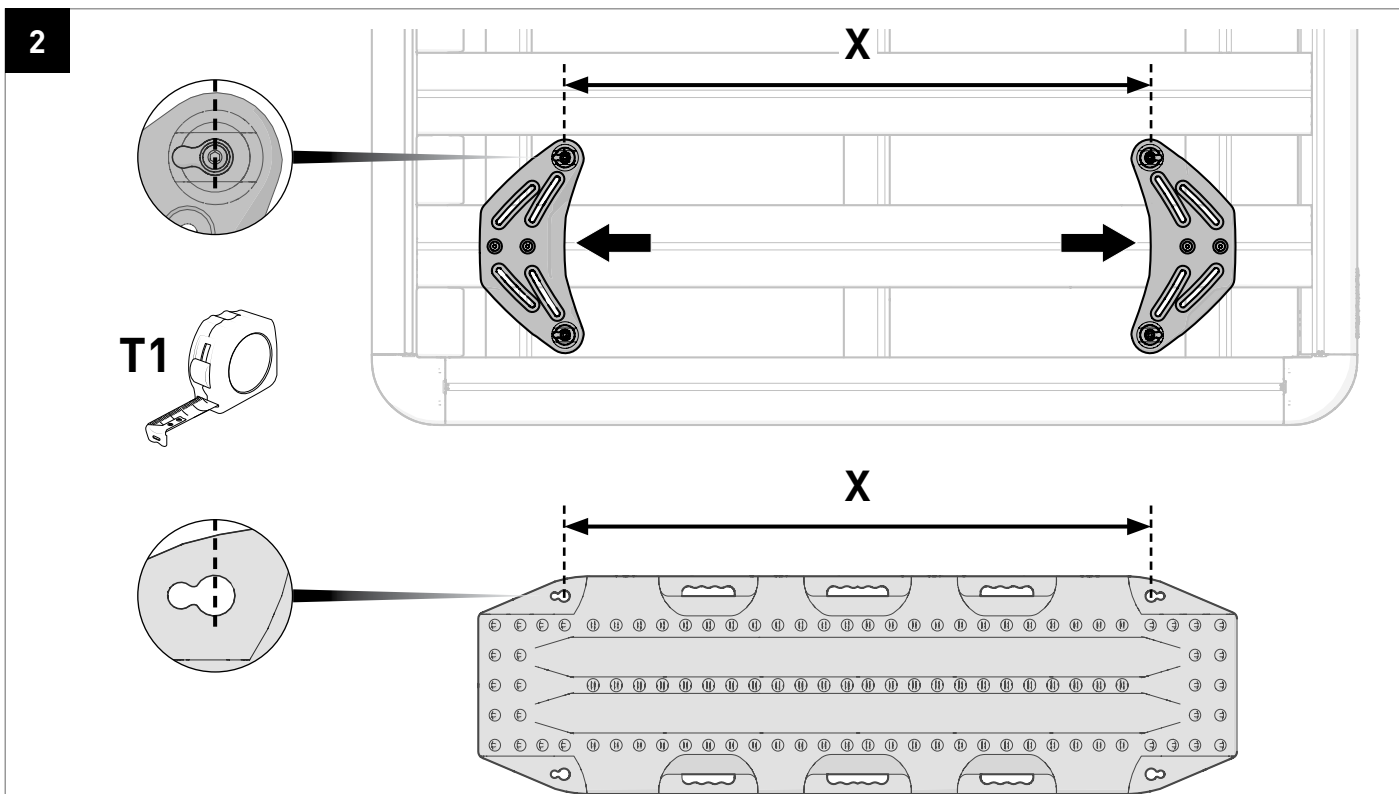
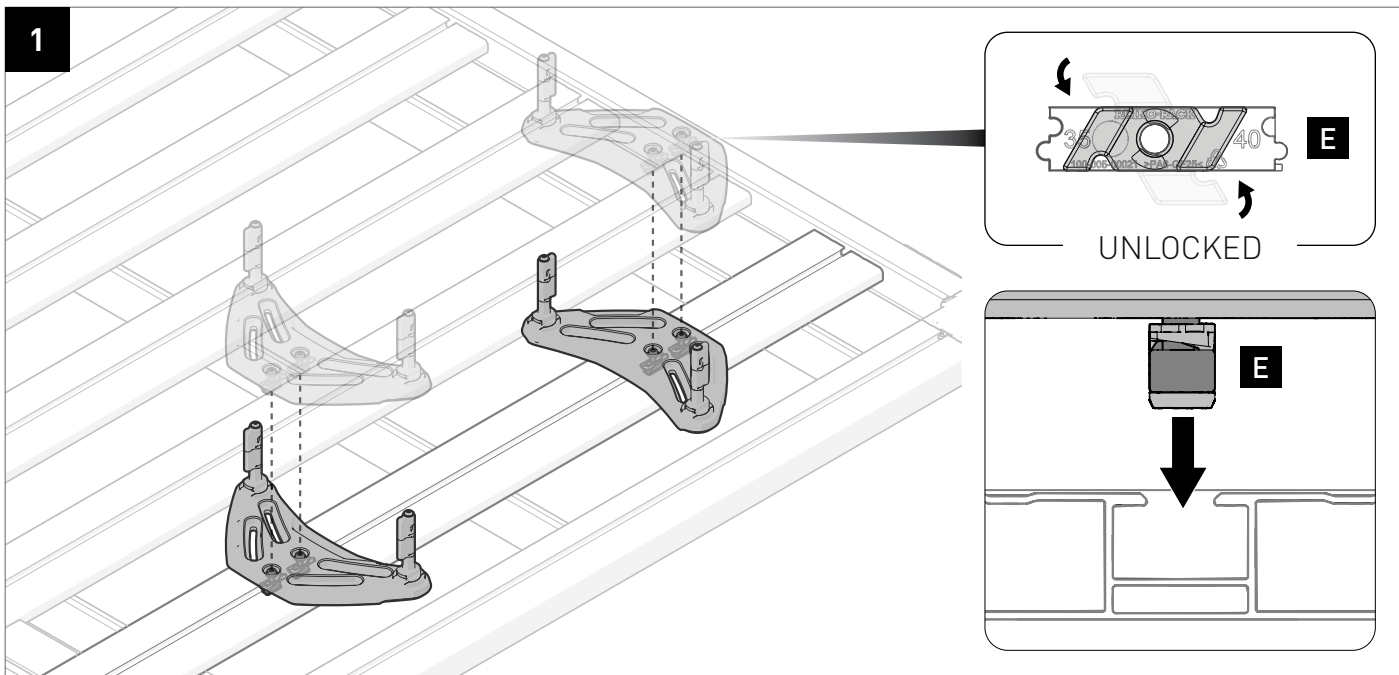
**NOTE:** Pins must face outwards to match Recovery Track pin holes.



5

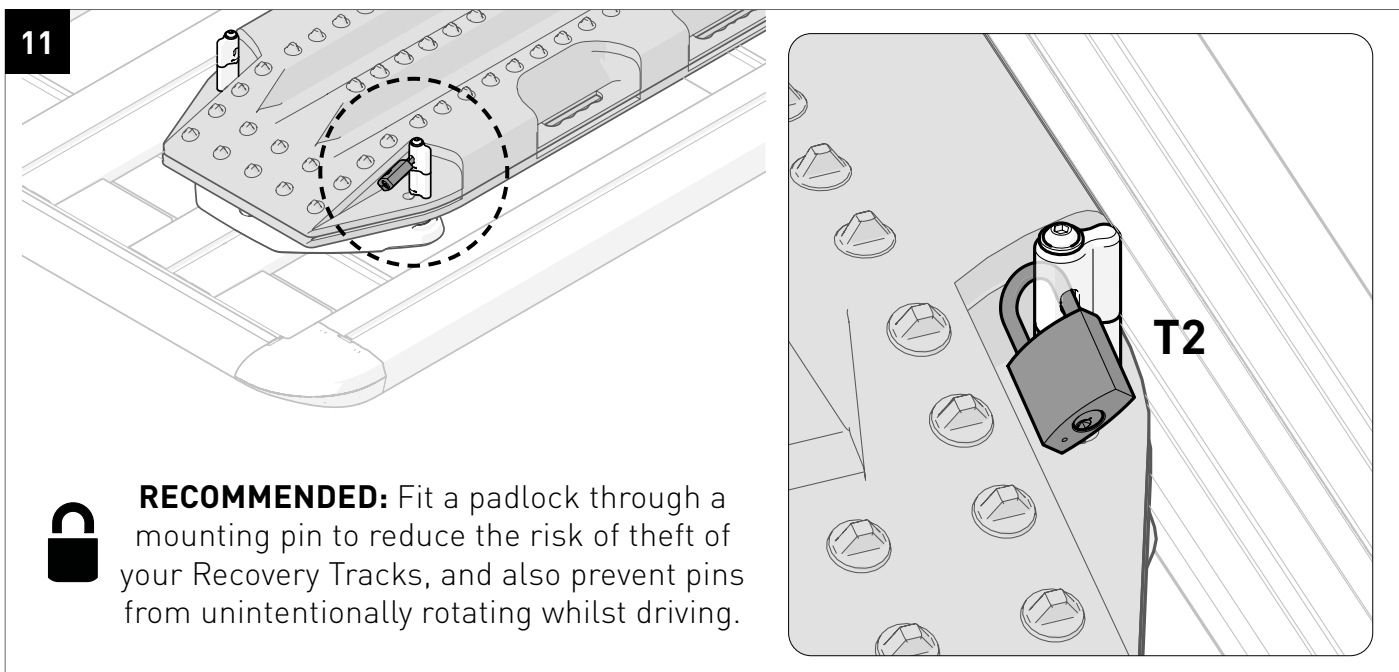
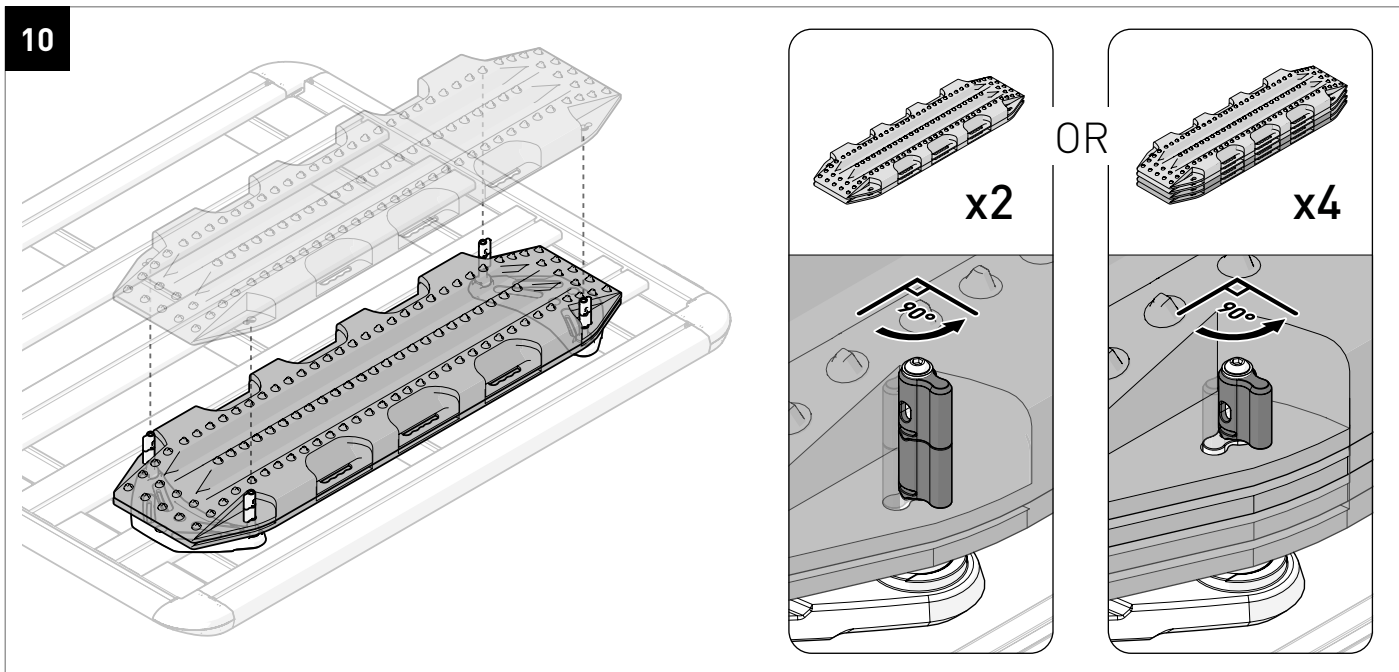
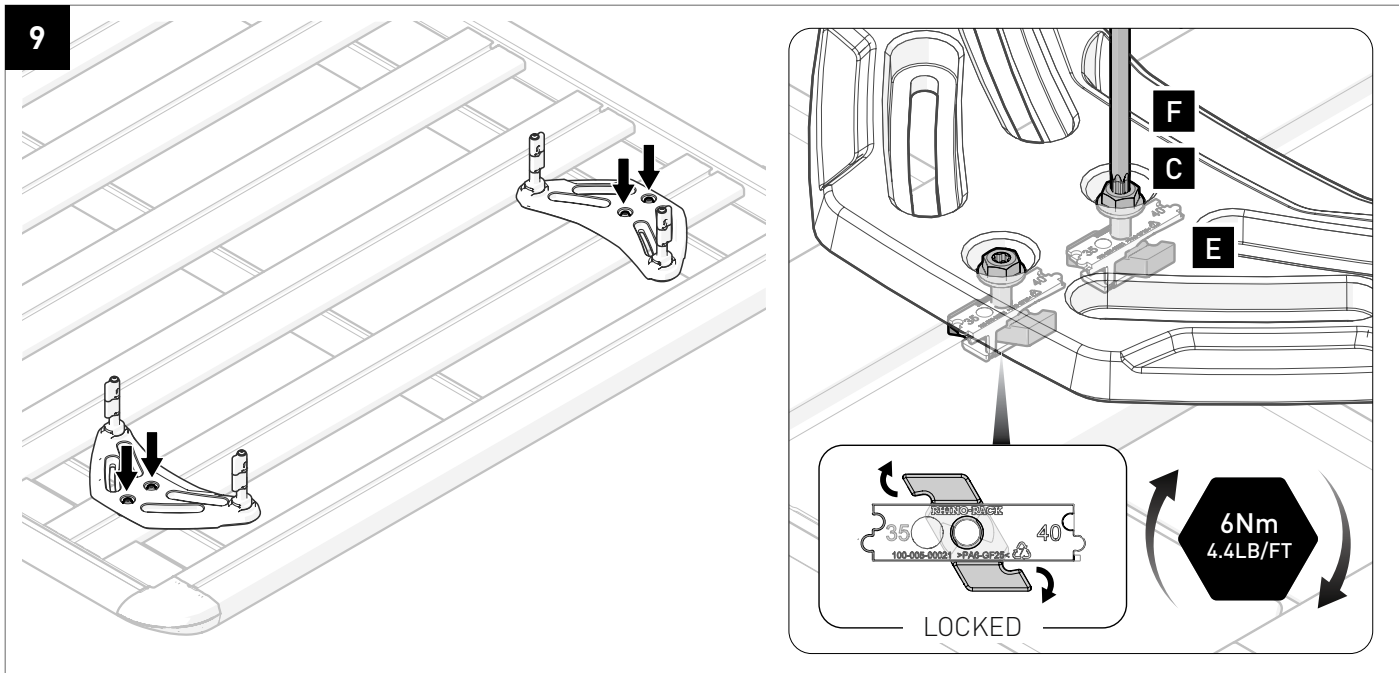
Assemble hardware to suit your Mounting selection  
(North-South example shown)

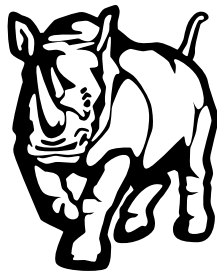




Test alignment and adjust brackets / pins if necessary.

**NOTE:** Take care not to shift bracket position when removing the Recovery Track.





**RHINO-RACK®**

MAKE SPACE FOR ADVENTURE

**RHINORACK.COM**

**Rhino-Rack AUSTRALIA**  
22A Hanson Pl,  
Eastern Creek, NSW, 2766

**Rhino-Rack USA**  
19822 E 22nd Ave,  
Aurora, CO, 80011